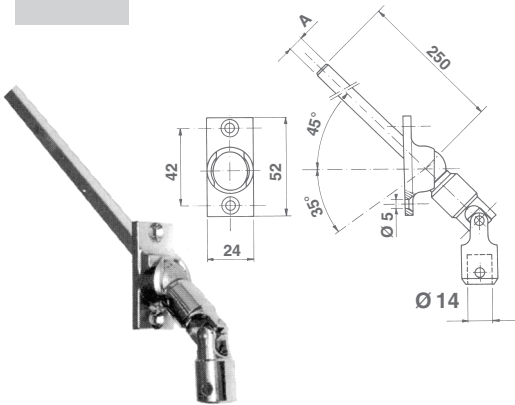




ever

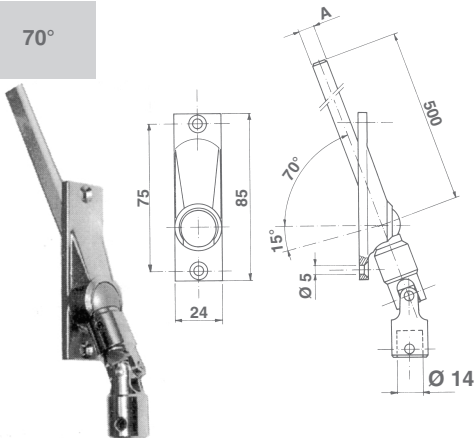
STAFER

45°



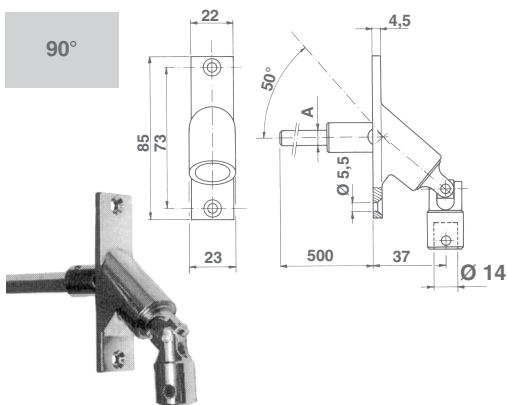
A	<ul style="list-style-type: none"> <li>- Nichelato</li> <li>- Vernickelt</li> <li>- Nickel-plated</li> <li>- Nickelée</li> </ul>				<ul style="list-style-type: none"> <li>- Snodo</li> <li>- Kreuzgelenk</li> <li>- Cardanic joint</li> <li>- Joint</li> </ul>
8	<b>400.P.Q8.34</b>				

70°



A	<ul style="list-style-type: none"> <li>- Nichelato</li> <li>- Vernickelt</li> <li>- Nickel-plated</li> <li>- Nickelée</li> </ul>				<ul style="list-style-type: none"> <li>- Snodo</li> <li>- Kreuzgelenk</li> <li>- Cardanic joint</li> <li>- Joint</li> </ul>
8	<b>400.G.Q8.34</b>				

90°



A	<ul style="list-style-type: none"> <li>- Nichelato</li> <li>- Vernickelt</li> <li>- Nickel-plated</li> <li>- Nickelée</li> </ul>				<ul style="list-style-type: none"> <li>- Snodo</li> <li>- Kreuzgelenk</li> <li>- Cardanic joint</li> <li>- Joint</li> </ul>
8	<b>400.R.Q8.34</b>				